



## 2820-060 Shear Test Fixture for Wood

### Features

- 50 kN (5,000 kgf, 11,250 lbf) force capacity
- Self-aligning loading anvil ensures uniform lateral distribution of applied load
- Screw-action specimen clamp with self-aligning thrust pad to hold specimen firmly in position
- Specimen seat with clearance adjustment shims to fix the offset between the edge of the supporting surface and the plane of the loading surface
- Suitable for tests on wood and adhesive bonds
- Compliant with ASTM, BS, ISO, JAS and JIS standards

### Description

The 2820-060 wood shear fixture is designed for testing shear strength properties of wood or adhesive bonds in wood by compression loading.

The fixture consists of a high-strength steel body with a sliding, self-aligning anvil which is used to apply compressive loading to the specimen in shear. The shear line can be set at 0.0 mm, 2.0 mm or 3.0 mm by using shims. The shims are clearly engraved with the applicable standard and are easy and quick to change.

The fixture is attached to the test system using simple clevis pin interfaces which allow quick and easy fitting and removal.

### Principle of Operation

The fixture consists of two main components. A sliding shear blade with a self-aligning anvil contacts the specimen which is supported in the body of the fixture. The shear blade moves downwards under compression and applies a shear force to the specimen. The self-aligning anvil ensures uniform lateral distribution of the applied load. A screw-action specimen clamp with self-aligning thrust pad holds the specimen securely during test.

Shims supplied with the fixture allow the clearance along the shear line to be adjusted according to the standard being followed. Clearances of 0 mm, 2.0 mm and 3.0 mm are possible.

### Application Range

- Static shear tests on a wide range of wood and timber specimens and adhesive bonds at ambient temperatures
- Type of Loading: Static shear (in compression). Not suitable for high cycle dynamic fatigue tests
- Specimen shapes: Rectangular

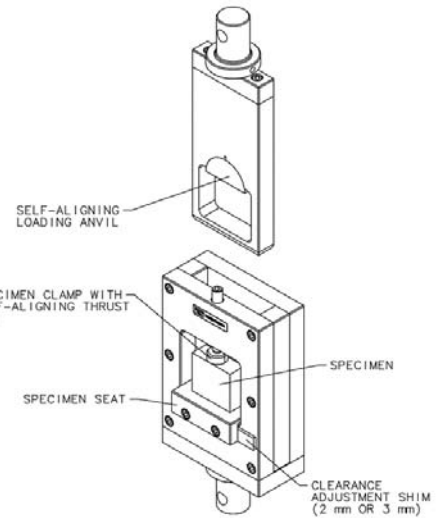


▲ 2820-060 Shear Fixture

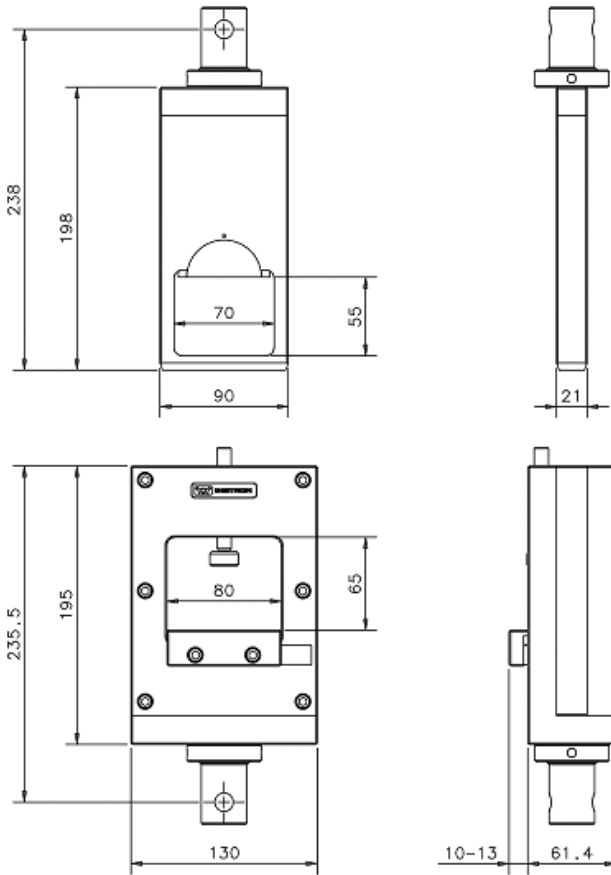
# 2820-060 Shear Test Fixture for Wood

## Specifications

<b>Catalog Number</b>	<b>2820-060</b>
<b>Compliance to Standards</b>	ASTM D 143-94, ASTM D 905-98, ISO 6238 2001, JIS K 6802-1973, JIS Z 2117-1977, BS 373: 1957 and JAS 601-1974
<b>Upper Fitting</b>	0.5 in clevis (Type Dm)
<b>Lower Fitting</b>	0.5 in clevis (Type Dm)
<b>Weight- Upper</b>	2.64 kg (5.8 lb)
<b>Weight- Lower</b>	8.3 kg (18.3 lb)



▲ 2820-060 shear test fixture



▲ 2820-060 dimensions (mm)



▲ Shims for adjusting clearance of shear line



**Corporate Headquarters**  
Instron Corporation  
825 University Avenue, Norwood, MA 02062-2643 USA  
Tel: +1 800 564 8378 or +1 781 575 5000 Fax: +1 781 575 5725

**Instron Industrial Products**  
900 Liberty Street, Grove City, PA 16127-9969, USA  
Tel: +1 724 458 9610 Fax: +1 724 478 9614

**European Headquarters**  
Instron Limited  
Coronation Road, High Wycombe, Bucks HP12 3SY, United Kingdom  
Tel: +44 1494 464646 Fax: +44 1494 456123

[www.instron.com](http://www.instron.com)

Instron is a registered trademark of Instron Corporation. Other names, logos, icons, and marks identifying Instron products and services referenced herein are trademarks of Instron Corporation and may not be used without the prior written permission of Instron. Other product and company names listed are trademarks or trade names of their respective companies.

Copyright © Instron 2005. All rights reserved.  
All of the specifications shown in this brochure are subject to change without notice.

pod.2820-060\_rev1.1205